

CARACTERÍSTICAS / CHARACTERISTICS

MATERIAL columna troncocónica (conicidad 12,5%) de:

- ACABADO**
- a. acero cor-ten (e=5mm)
 - b. acero galvanizado (e=4mm)
 - c. acero pintado (RAL o cor-ten)

COLOC. anclado mediante placa base y cuatro pernos

PESO F-12: 254kg / F-10: 202kg / F-9: 202kg / F-7/10: 149kg / F-7/9: 202kg / F-5: 112kg / F-4: 65 kg

MATERIAL tapered column (taper 12.5%) made of:

- FINISH**
- a. cor-ten steel (e=5mm)
 - b. galvanized steel (e=4mm)
 - c. coated steel (RAL or cor-ten)

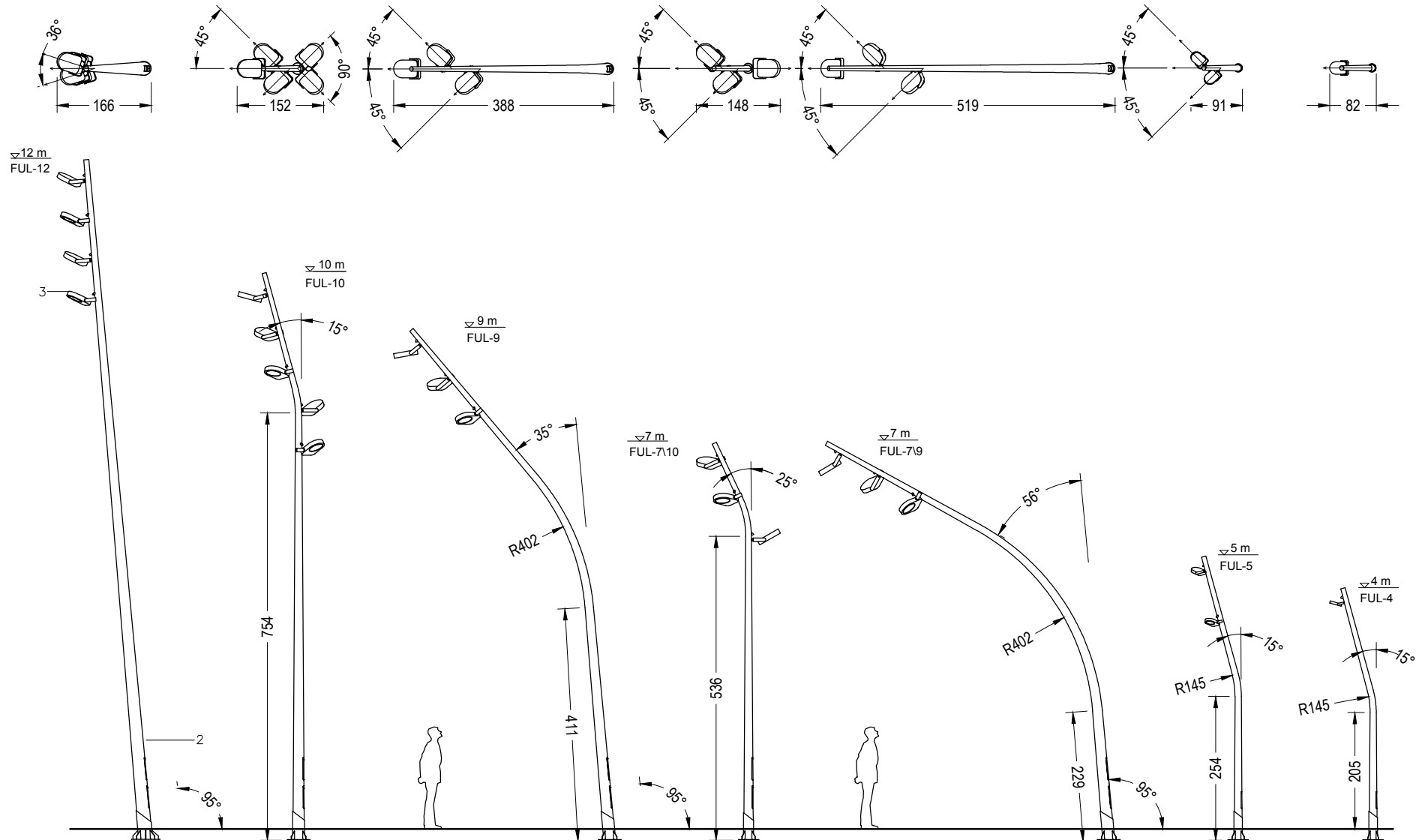
FIXING anchored with a base plate and four threaded bolts

WEIGHT F-12: 254kg / F-10: 202kg / F-9: 202kg / F-7/10: 149kg / F-7/9: 202kg / F-5: 112kg / F-4: 65 kg

Update 01/07/2019
Cotas / Sizes cm

GEOMETRÍA / GEOMETRY

E:1/100



CARACTERÍSTICAS / CHARACTERISTICS

MATERIAL columna troncocónica (conicidad 12,5%) de:

- ACABADO**
- a. acero cor-ten (e=5mm)
 - b. acero galvanizado (e=4mm)
 - c. acero pintado (RAL o cor-ten)

COLOC. anclado mediante placa base y cuatro pernos

PESO F-12: 254kg / F-10: 202kg / F-9: 202kg / F-7/10: 149kg / F-7/9: 202kg / F-5: 112kg / F-4: 65 kg

MATERIAL tapered column (taper 12.5%) made of:

- FINISH**
- a. cor-ten steel (e=5mm)
 - b. galvanized steel (e=4mm)
 - c. coated steel (RAL or cor-ten)

FIXING anchored with a base plate and four threaded bolts

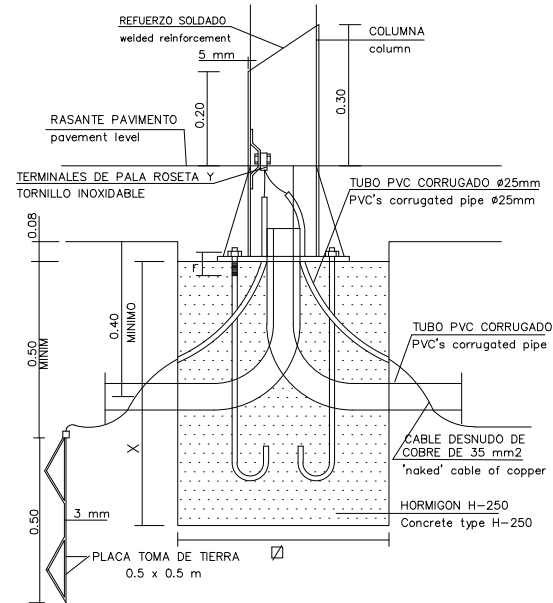
WEIGHT F-12: 254kg / F-10: 202kg / F-9: 202kg / F-7/10: 149kg / F-7/9: 202kg / F-5: 112kg / F-4: 65 kg

Update 01/07/2019
Cotas / Sizes cm

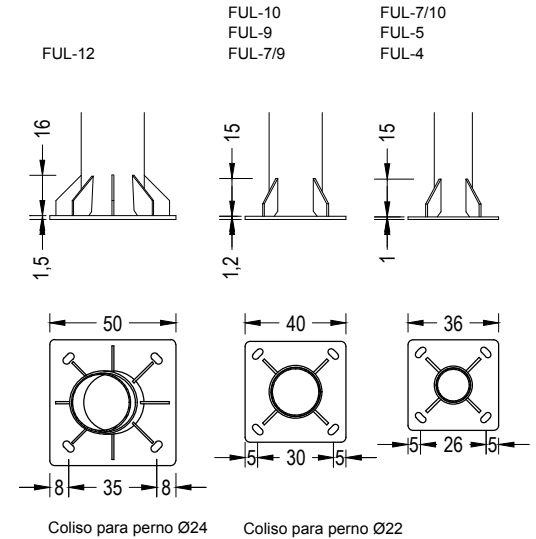
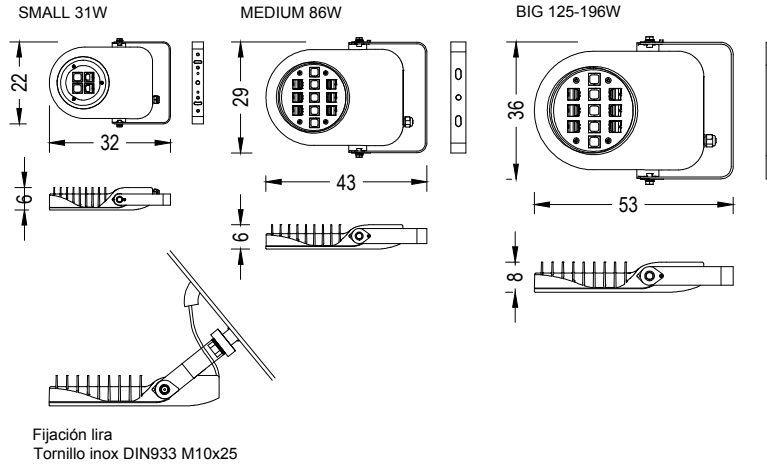
GEOMETRÍA / GEOMETRY

E:1/80

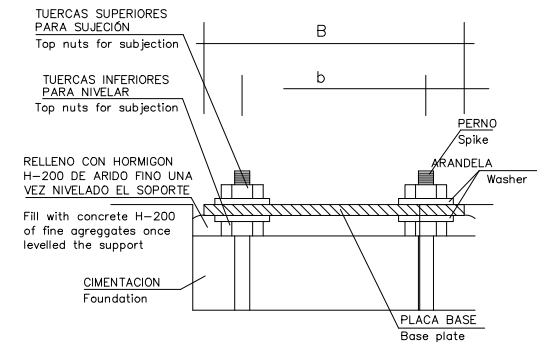
DETALLE CIMENTACIÓN COLUMNA TIPO Y TOMA DE TIERRA / DETAIL OF COLUMN FOUNDATION AND ELECTRICAL CONNECTION



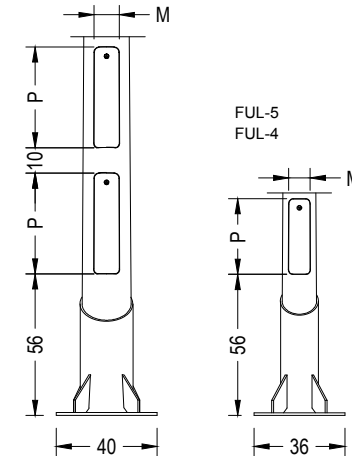
PROYECTORES / FLOODLIGHTS



CIMENTACIÓN Y PERNOS / FOUNDATION AND SPIKES



| | FUL-12 | FUL-10 | FUL-9 | FUL-7/10 | FUL-7/9 | FUL-5 | FUL-4 |
|--------------------------------------|----------|----------|----------|----------|----------|----------|----------|
| COLUMNAS columns | H=12 m | H=10 m | H=9 m | H=7 m | H=7 m | H=5 m | H=4 m |
| ∅ SUP | 88 mm | 77 mm | 77 mm | 77 mm | 77 mm | 77 mm | 77 mm |
| ∅ INF | 240 mm | 200 mm | 200 mm | 165 mm | 200 mm | 142 mm | 142 mm |
| PUERTAS REGISTRO inspection hatch | 2 | 2 | 2 | 2 | 2 | 1 | 1 |
| P | 400 mm | 400 mm | 400 mm | 400 mm | 400 mm | 300 mm | 300 mm |
| | M | 100 mm | 100 mm | 100 mm | 100 mm | 85 mm | 85 mm |
| CIMENTACIÓN foundation | | | | | | | |
| (dim.aprox.) | X 120 cm | 100 cm | 80 cm | 80 cm | 80 cm | 80 cm | 80 cm |
| ∅ | 90 cm | 80 cm | 80 cm | 80 cm | 80 cm | 80 cm | 80 cm |
| | | | | | | | |
| PLACA BASE base plate | | | | | | | |
| pernos(4)/spikes | M-24x800 | M-22x700 | M-22x700 | M-22x700 | M-22x700 | M-22x700 | M-22x700 |
| cartelas/consolas | 160mm(8) | 150mm(4) | 150mm(4) | 150mm(4) | 150mm(4) | 150mm(4) | 150mm(4) |
| ∅ placa B/plate B | 500 mm | 400 mm | 400 mm | 360 mm | 400 mm | 360 mm | 360 mm |
| ∅ centros b/centers | 350 mm | 300 mm | 300 mm | 260 mm | 300 mm | 260 mm | 250 mm |
| E | 15 mm | 12 mm | 12 mm | 12 mm | 12 mm | 10 mm | 10 mm |
| PROYECTORES projectors | 4 | 3 ó 5 | 3 | 3 | 3 | 2 | 1 |
| n° rótulas | 4 | 3 ó 5 | 3 | 3 | 3 | 2 | 1 |



Puertas de registro y cerramiento con llave de tubo triangular /
Inspection hatch and lock with triangular tube key